

# THE HEMP BLOCK

## U-block – Hempro system

**PAL30U | PAL36U**

### Horizontal chaining block of 30cm or 36cm

The 30 cm or 36 cm U-block is a hemp block intended for new constructions, allowing the creation of a complete load-bearing structure. This block has a horizontal recess intended to create a reinforced concrete supporting column for the building. It serves as formwork and allows the beams to be cast on which the floor and roof are placed. When associated with drilled blocks, it makes it possible to create a complete hemp block envelope, preventing thermal bridges and allowing your building to achieve homogeneous thermal performance over the whole of its envelope while ensuring good moisture regulation over its entire surface.



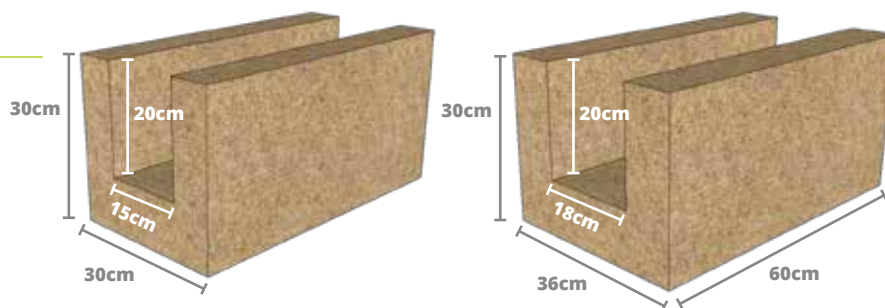
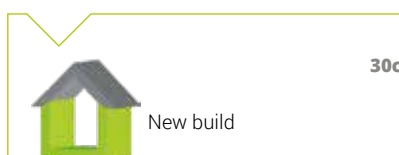
### › ADVANTAGES

- ✓ Homogeneity of the wall
- ✓ Economical solution
- ✓ Summer and winter comfort
- ✓ Open to water vapour diffusion

### › TECHNICAL CHARACTERISTICS

	U Blocks		Unit
	30	36	
Thickness	30	36	cm
Modular dimensions	60x30		cm
Maximum block weight	15,3	18,3	kg
Diameter of the recess	15 x 20	18 x 20	cm
Cross-section of the recess	300	360	cm <sup>2</sup>
Adhesive consumption	10	12	kg/m <sup>2</sup>

### › APPLICATIONS



### › PACKAGING

Packaging	Value		Unit
	PAL30U	PAL36U	
Dimensions of a pallet	120 x 100 x 80	120 x 100 x 80	cm
Maximum weight of a pallet	400	400	kg
Number of blocks per pallet	12	11	blocks/pallet
Number of m <sup>2</sup> per pallet	2,16	1,98	m <sup>2</sup> /pallet
Number of blocks per m <sup>2</sup>	5,5	5,5	blocks/m <sup>2</sup>
Storage	3	3	months/exterior
Storage life	2	2	years if covered