



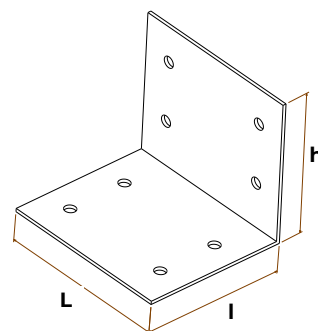
## Brackets

### Technical characteristics

#### Window passage

The use of brackets is advised to maintain hemp blocks above doors and windows when an IsoHemp lintel is not being used. This solution should be favoured in interior renovation mainly when the height to be insulated above the bay is low and there are only a few rows of blocks to be laid. The bracket can also be used as a link between two long thin lintels as well as to distribute and support the load in some applications.

Ref.	Usage	Weight approx	L	l	h
EQ07	7cm block	0,4 kg	15 cm	5 cm	5 cm
EQ09	9cm block	0,5 kg	15 cm	7 cm	7 cm
EQ12	12cm block	0,7 kg	15 cm	10 cm	10 cm
EQ15	15cm block	0,9 kg	15 cm	13 cm	13 cm
EQ20	20cm block	1,3 kg	15 cm	18 cm	18 cm
EQ25	25cm block	1,5 kg	15 cm	22 cm	20 cm
EQ30	30cm block	2,7 kg	25 cm	25 cm	20 cm
EQ36	36cm block	3 kg	25 cm	32 cm	20 cm



### Advantages

- Flexibility on-site
- Fast implementation
- Adapts to any support
- Galvanised steel

### Packaging

Sale	By part or by order
Storage	Dry

