

Angle bars

NEW
REINFORCED
ANGLE BARS

Technical characteristics

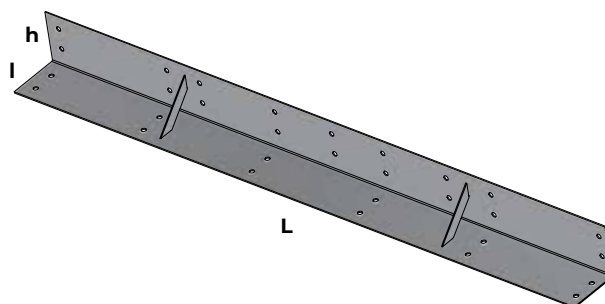
Masonry base

The use of angle bars is recommended when laying the first row of hemp blocks in some applications. This solution shall be preferred for exterior insulation as an alternative to a base (silica-limestone, cellular glass, etc.) when there is no adequate foundation. They can also be used in new builds to support hemp masonry blocks when the latter are suspended. In general, the angle bar can be used as a lintel in certain applications or can be used as a connection between two long very thick lintels.

Ref.	Usage	Weight approx	L	l	h
COR12	12 cm block	5,7 kg	120 cm	10 cm	10 cm
COR15	15 cm block	7,4 kg	120 cm	13 cm	13 cm
COR20	20 cm block	10,2 kg	120 cm	18 cm	18 cm
COR25	25 cm block	11,7 kg	120 cm	22 cm	20 cm

Loads on angle brackets

Type	MAX HEIGHT plastered masonry on one face (m)
COR12	5
COR15	5
COR20	4
COR25	4



Advantages

- Adapts to any support
- Fast implementation
- Flexibility on-site
- Galvanised steel

Packaging

Sale	By unit and on order
Storage	Dry

