

## PAL30UEX | PAL36UEX



### U-block

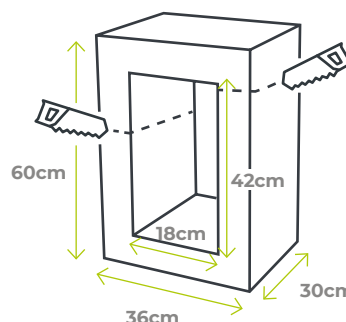
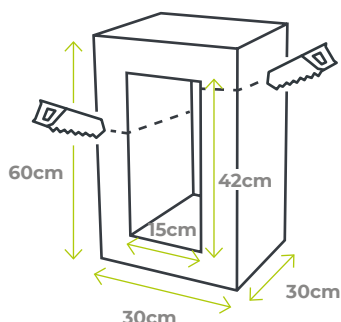
**Hempro System**

### Technical characteristics

#### Horizontal chaining block of 30cm or 36cm

The 30 cm or 36 cm U-block is a hemp block intended for new constructions, allowing the creation of a complete load-bearing structure. This block has a horizontal recess intended to create a reinforced concrete supporting column for the building. It serves as formwork and allows the beams to be cast on which the floor and roof are placed. When associated with drilled blocks, it makes it possible to create a complete hemp block envelope, preventing thermal bridges and allowing your building to achieve homogeneous thermal performance over the whole of its envelope while ensuring good moisture regulation over its entire surface.

	U-block		Unit
Thickness	30	36	cm
Modular dimensions	60 x 30		cm
Maximum block weight	10	13,5	kg
Recess section	15 x 42	18 x 42	cm
Cross-section of the recess	630	756	cm <sup>2</sup>
Adhesive consumption	3,8	6,8	kg/m <sup>2</sup>



### Advantages

- Homogeneity of the wall
- Economical solution
- Summer and winter comfort
- Open to water vapour diffusion

### Packaging

	Value		Unit
	PAL30UEX	PAL36UEX	
Dimensions of a pallet	120 x 100 x 104	120 x 100 x 114	cm
Maximum weight of a pallet	205	227,5	kg
Number of blocks per pallet	18	15	blocks/pallet
Number of m <sup>2</sup> per pallet	3,24	2,7	m <sup>2</sup> /pallet
Number of blocks per m <sup>2</sup>	5,5		blocks/m <sup>2</sup>

### Applications

